

## 1. Scope

This Material Standard covers the requirements for handhole covers and backer bars for underground concrete, steel or aluminum street light poles.

## 2. Material ID Numbers

This Material Standard applies to the covers assigned the following District Material ID Numbers:

1002553	Narrow Rectangular Cover	Figure 1
1002554	Large Rectangular Cover	Figure 2
1002555	Oval Cover	Figure 3
1002556	Rectangular Cover With Bend	Figure 4

## 3. Reference Standards

Except as modified herein, the covers shall meet the applicable requirements of the latest revisions of the following industry standards:

**ASTM A109** Standard Specification for Steel, Strip, Carbon (0.25 Maximum Percent), Cold Rolled

**ASTM A123** Standard Specification for Zinc (Hot-Dip Galvanized) Coatings on Iron and Steel Hardware

## 4. Material

Covers and backer bars shall be manufactured from steel plate and shall be free of sharp edges, burrs, cracks and other imperfections. All bolts shall be stainless steel 5/32" Pin Hex Head 1/4" UNC 20, length as shown in Figures. All washers and retaining clips shall be stainless steel.

## 5. Dimensions

Covers and backer bars shall be dimensioned as shown in Figure 1, Figure 2, Figure 3 or Figure 4.

## 6. Galvanizing

Covers and backer bars shall be hot dip galvanized in accordance with ASTM A123.

## 7. Packaging

Covers shall be shipped assembled as one unit and packaged in heavy duty cardboard boxes, 6 covers per box.

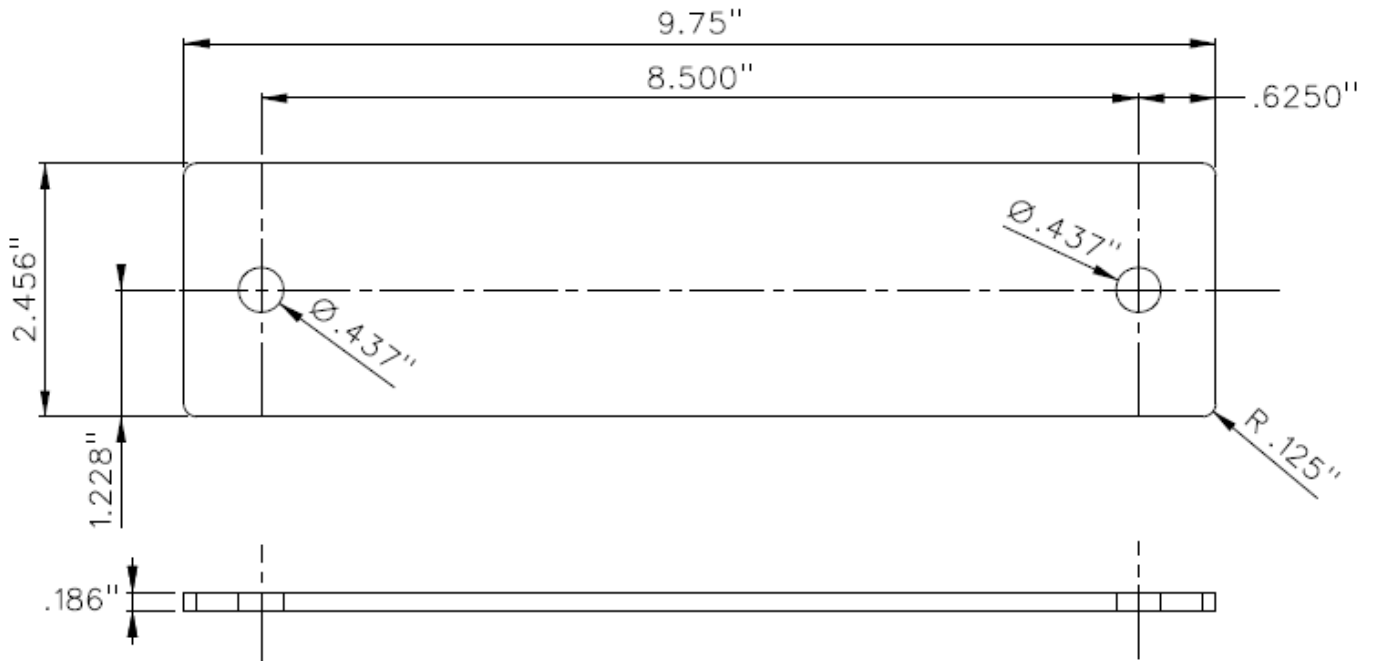
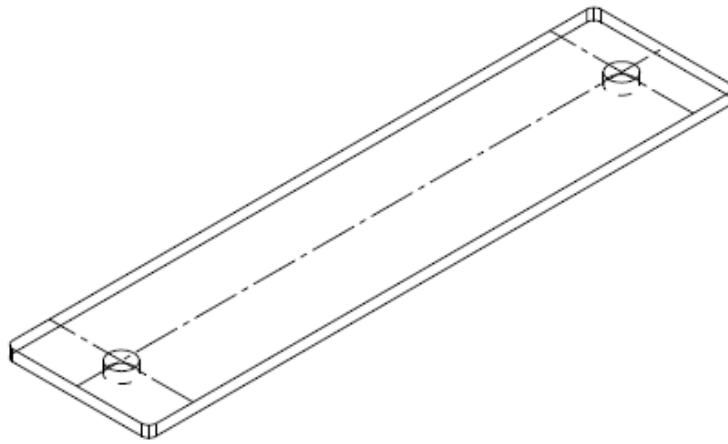
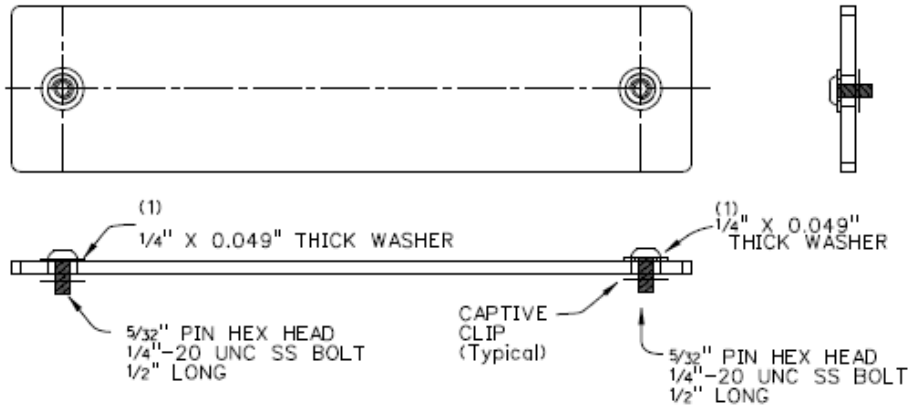
## **8. Shipping**

Product shall be shipped to the address specified on the Purchase Order.

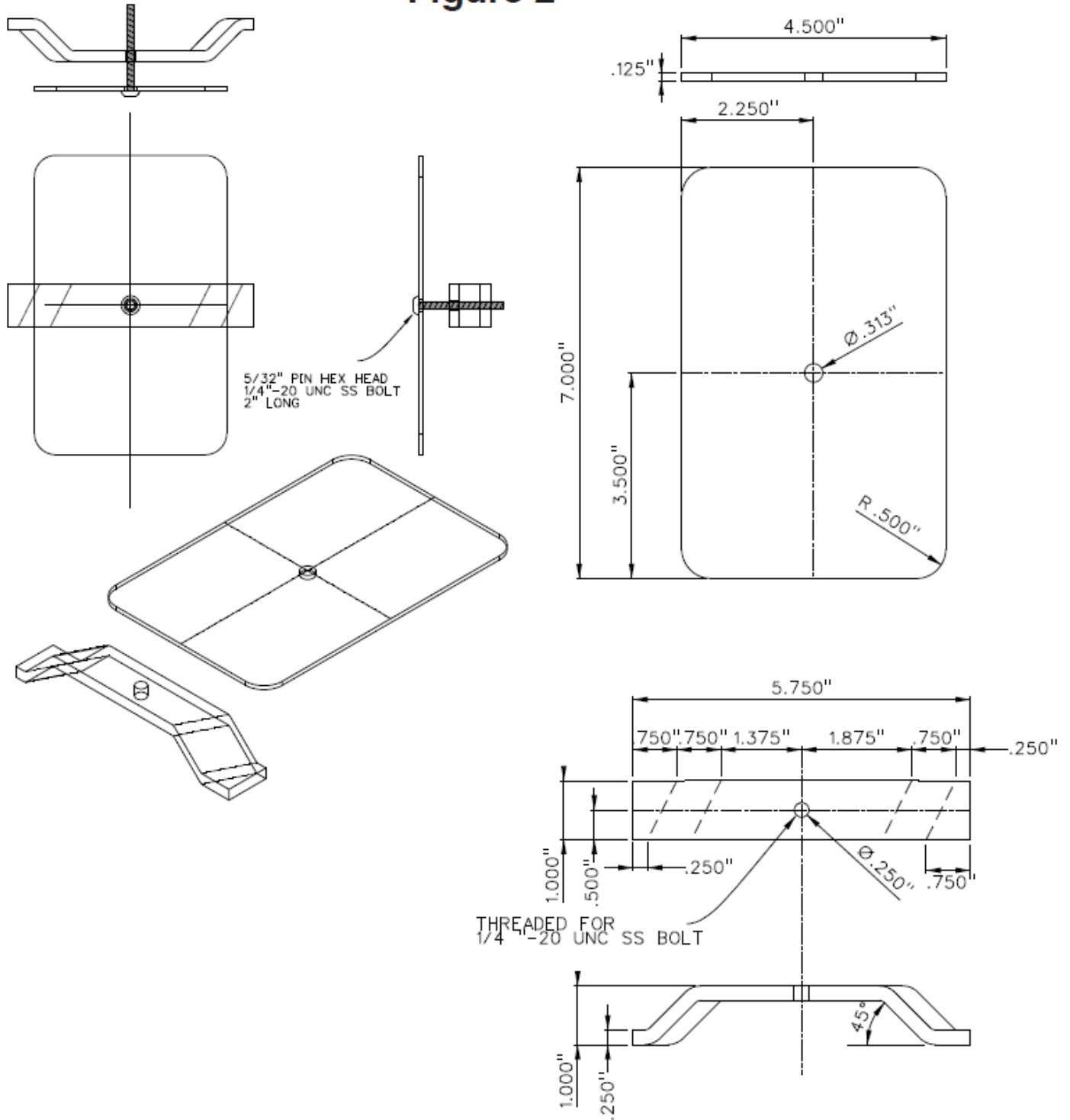
## **9. Inspection**

The District reserves the right to inspect all products upon receipt. Covers not conforming to this Material Standard, or damaged, will be rejected and returned at the Supplier's expense. Acceptance of delivery does not relieve the Supplier from meeting all of the requirements of this Material Standard.

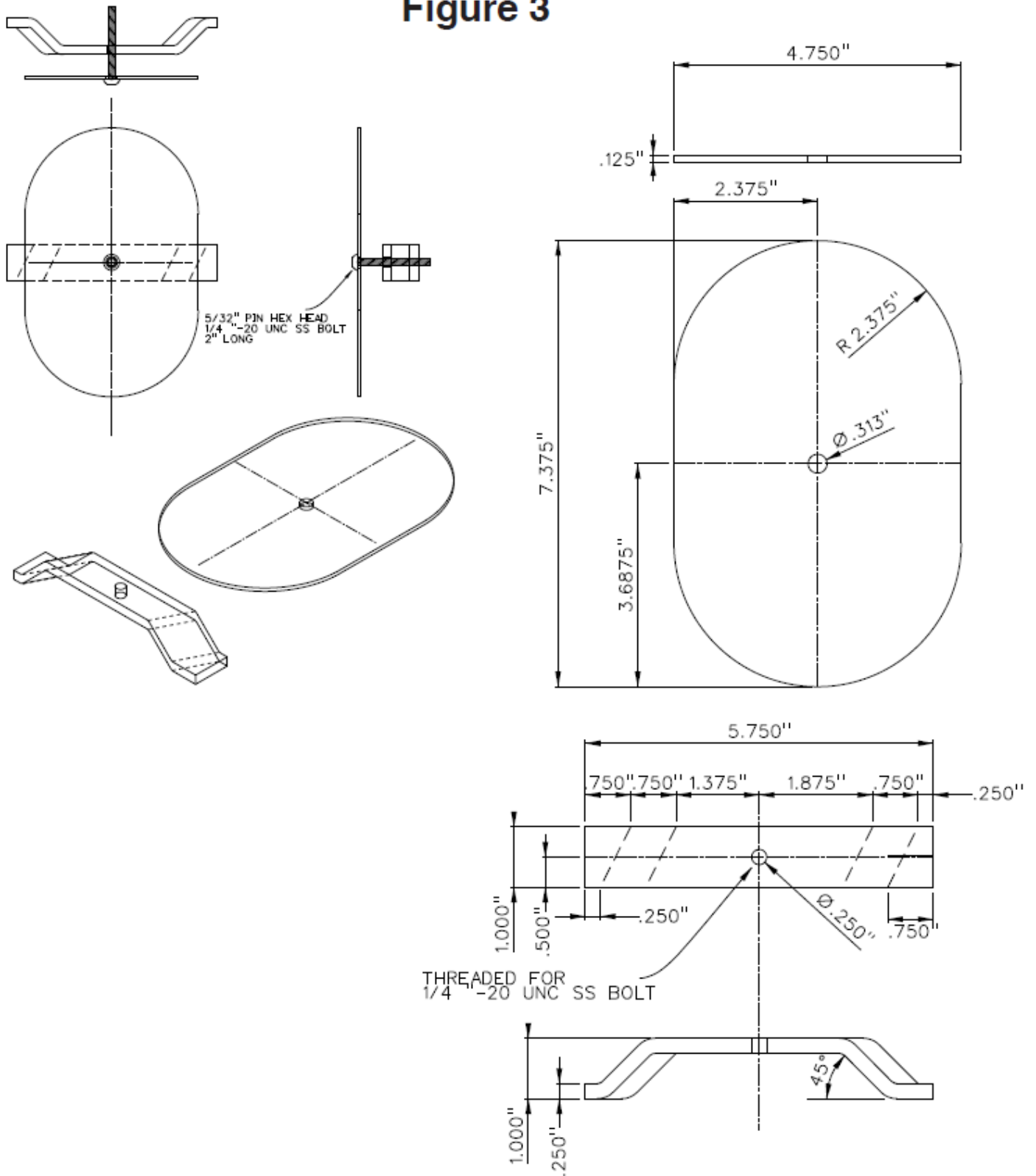
**Figure 1**



**Figure 2**



**Figure 3**



**Figure 4**

